



**PACIFIC CORRUGATED PIPE CO.
D.B.A. ARIZONA CULVERT CO.**

CASA GRANDE, AZ (520) 426-6000 DR (800) 822-1770 SANTA FE, NM (505) 474-5400

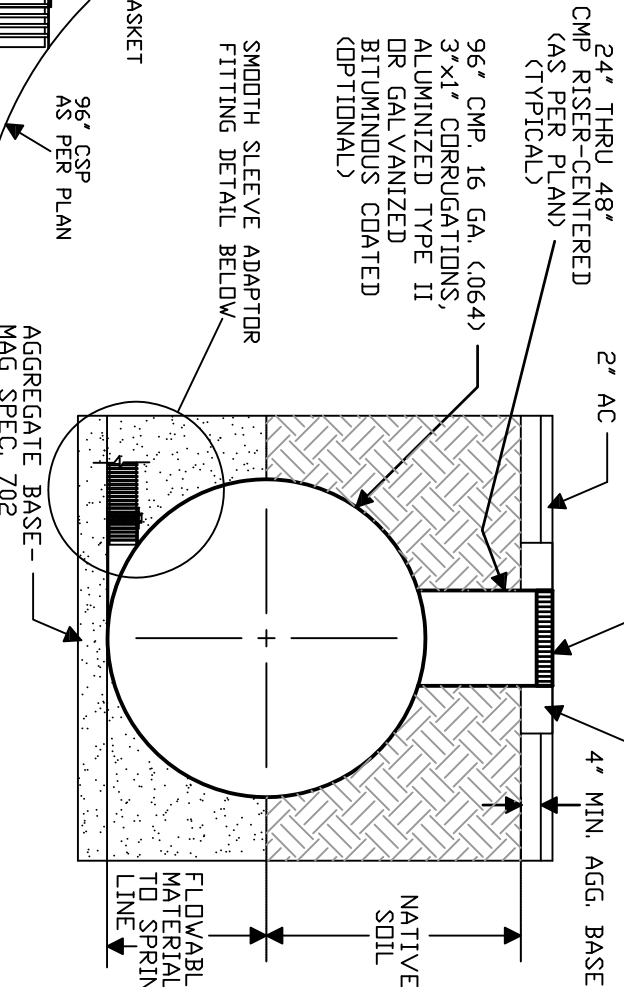
**CORRUGATED PIPE DETENTION SYSTEM
(SINGLE BARREL - SECTION DETAIL)**

REVISION: 06/10/2008

NOTE: TO MEET FOLLOWING SPECIFICATIONS
AASHTO M-36 (MANUFACTURING PROCESS)
AASHTO M-274 (ALUMINIZED)

BEDDING AND BACKFILL PER MAG SPEC. SEC. 601, TYPE 1 COMPACTION. USE CONSTRUCTION METHODS AND EQUIPMENT WHICH WILL NOT DAMAGE OR OVERLOAD THE CMP DURING CONSTRUCTION.

EAST JORDAN IRON WORKS
CAST IRON FRAME & GRATE DR
COVER (#V-1610/V-3610)
DR EQUAL



GENERAL NOTE:
3' - 4' OF FILL IS RECOMMENDED BY MANUFACTURER FOR CONSTRUCTION EQUIPMENT. SEE TABLE 4.6, STEEL DRAINAGE AND HIGHWAY CONSTRUCTION PRODUCTS.

**SECTION A-A
(NOT TO SCALE)**

THE INFORMATION PRESENTED SHOULD BE CHECKED BY THE PROFESSIONAL ENGINEER RESPONSIBLE FOR THE DESIGN TO VERIFY ACCURACY. ALSO, THE INFORMATION SHOULD BE REVIEWED TO MAKE CERTAIN THAT THEY ARE APPLICABLE AND SUITABLE FOR THE PROJECT DESIGN.

N.T.S.