

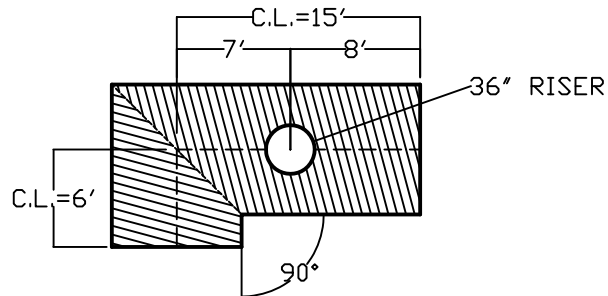


PACIFIC CORRUGATED PIPE CO. D.B.A. ARIZONA CULVERT CO.

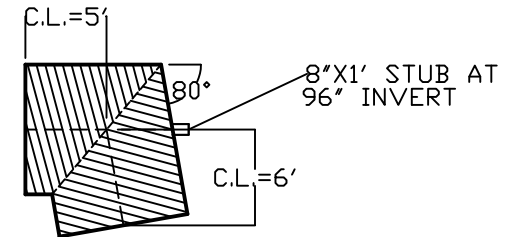
CASA GRANDE, AZ (520) 426-6000 OR (800) 822-1770 SANTA FE, NM (505) 474-5400

DETENTION - ELBOW DETAILS

REVISION: 05/03/2007

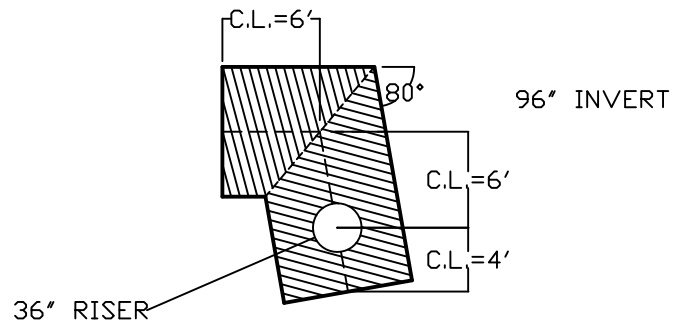


90 DEGREE ELBOW

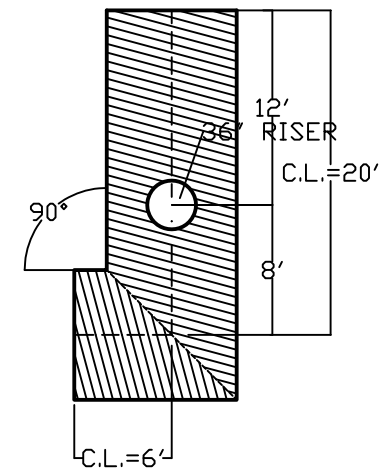


80 DEGREE ELBOW

96" 16 GA. 3X1 CSP,
ALUMINIZED, TYPE II
(TYPICAL)



80 DEGREE ELBOW



90 DEGREE ELBOW

THE INFORMATION PRESENTED SHOULD BE CHECKED BY THE PROFESSIONAL ENGINEER RESPONSIBLE FOR THE DESIGN TO VERIFY ACCURACY. ALSO, THE ASSUMPTIONS AND METHODS USED TO OBTAIN THE INFORMATION SHOULD BE REVIEWED TO MAKE CERTAIN THAT THEY ARE APPLICABLE AND SUITABLE FOR THE PROJECT DESIGNED.

N.T.S.