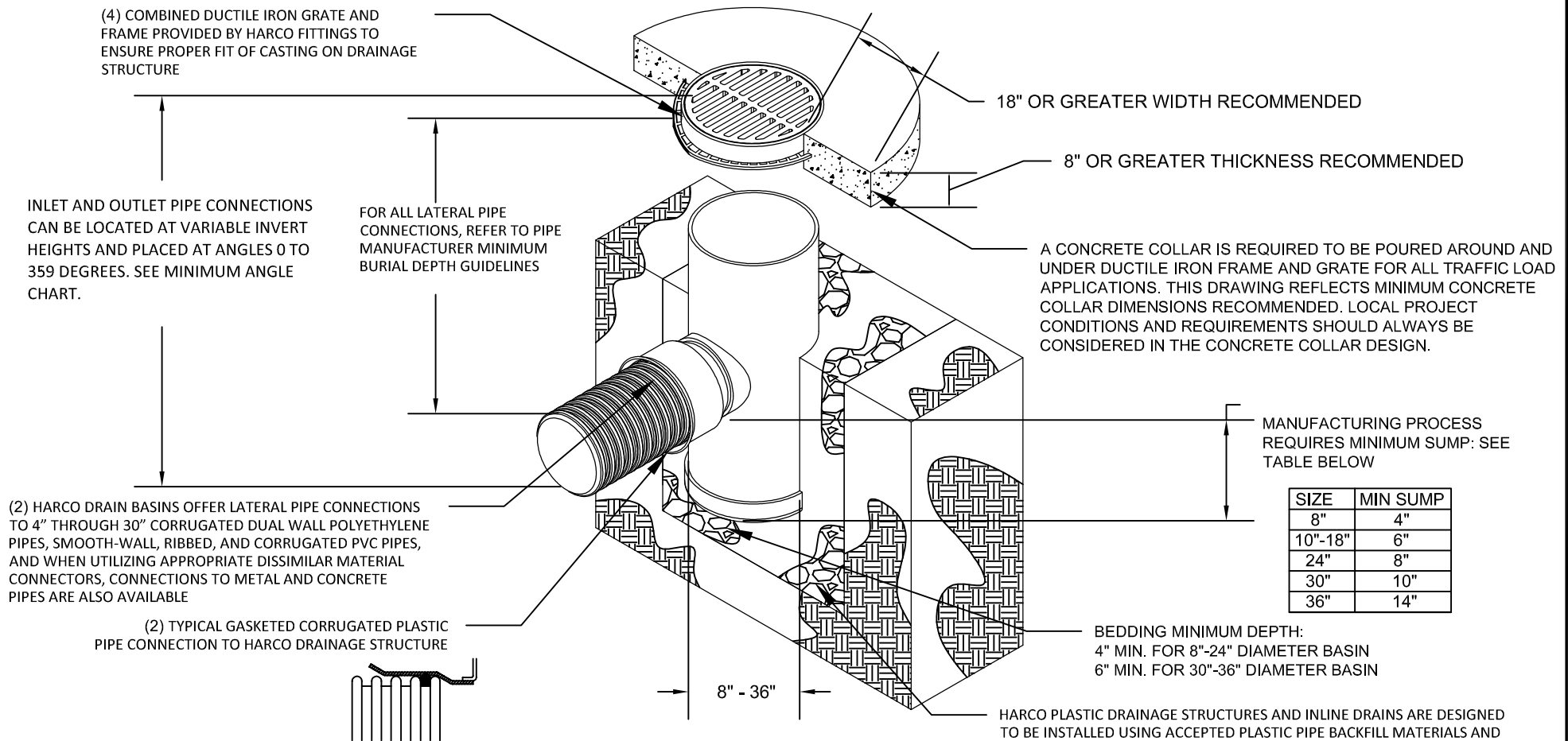



# HARCO DRAIN BASIN STANDARD DETAIL



SIZE	MIN SUMP
8"	4"
10"-18"	6"
24"	8"
30"	10"
36"	14"

- HARCO plastic drainage structures, including drain basins and inline drains, are fabricated from PVC pipe stock. HARCO employs a thermo-molding process to ensure a consistent watertight seal throughout the drainage structure and its outlet stubs. The PVC resin utilized to make this PVC stock conforms to ASTM D1784 cell class 12454
- The outlet stubs for HARCO plastic drainage structures are also manufactured from PVC pipe stock utilizing thermo-molding process to ensure a tight pipe-to-structure fit, so that when utilizing the appropriate pipe gaskets, the pipe-to-structure connection meets or exceeds the pressure requirements of the ASTM D3212 standard for pipe connections of plastic drainage pipe and sewer pipe using flexible elastomeric seals. These pipe gaskets must meet ASTM F477 requirements.
- Riser pipe extensions are required for drain basins taller than 84" due to shipping restrictions, and are available for convenient In-the-field drain basin height adjustments.
- HARCO grates, covers, and frames shall be constructed of ductile iron meeting ASTM A536 Grade 80-55-06. 12" through 36" round and square hinged standard grates and solid covers meet H25 load rating. 12" through 24" round and square hinged pedestrian grates meet H10 load rating. Traffic family and Curb Inlet 2'x2' and 2'x3' grates meet H25 load rating. 8" and 10" grates and solid covers are one-piece drop-in castings designed for light duty load applications. All domed grates are not load rated.

		<b>THE HARRINGTON CORPORATION</b>	
TITLE DRAIN BASIN STANDARD DETAIL		DWG NO 2013-001	REV 001
		SCALE N/A	DATE 2-23-17
IMPORTANT: <small>This drawing is the property of THE HARRINGTON CORP and contains confidential information which is not to be used in whole or in part for any purpose other than for which it was specifically furnished. This drawing is to be returned to THE HARRINGTON CORP upon demand. COPYRIGHT 2009; HARRINGTON CORPORATION / HARCO FITTINGS</small>		TOL	DWN BY JBF
		SIZE	CKD BY JP
		SHEET	